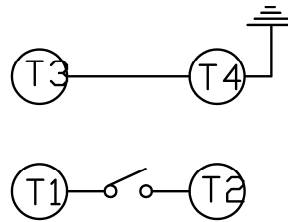
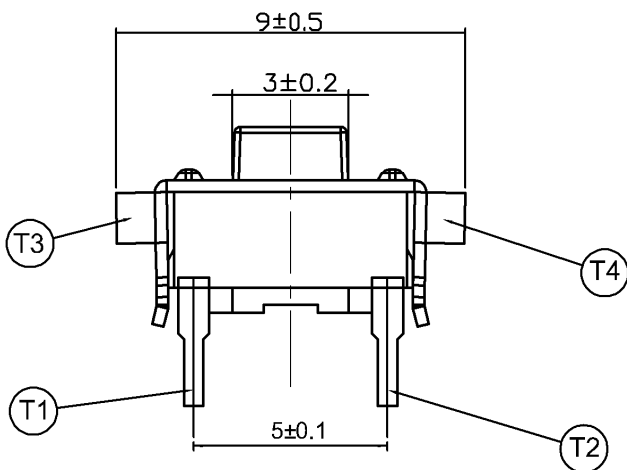
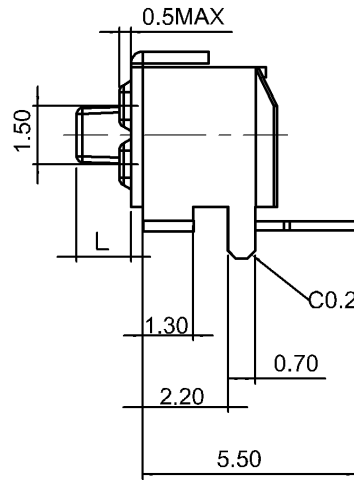
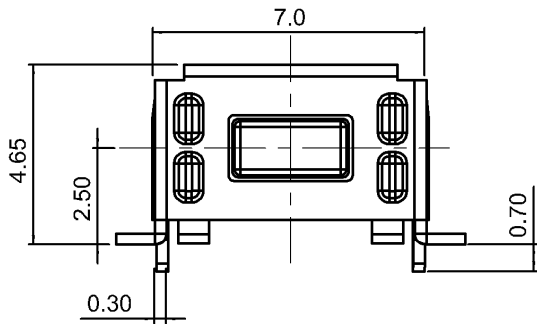
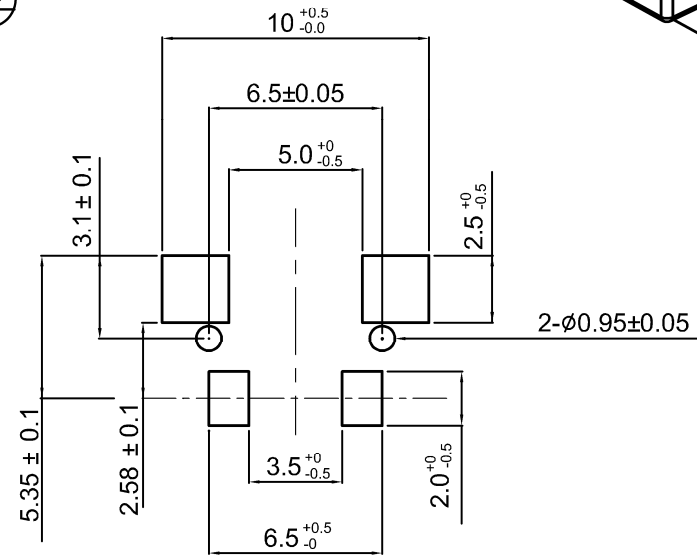
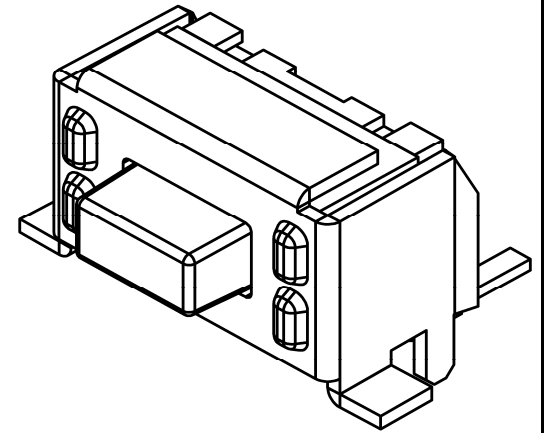


CIRCUIT DIAGRAM

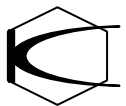


P.C.B. LAYOUT



NOTE : Coplanarity 0.1 mm MAX.

TS21M-B	1.4	S	320g, ALMON
		W	160g, WHITE
		N	160g, BROWN
TS21M-A	0.7	S	320g, ALMON
		W	160g, WHITE
		N	160g, BROWN
MODEL NO.	L	COLOR FOR OPERATING FORCE	



銓基電子股份有限公司
ROKI ELECTRONICS CO., LTD.

PART NAME : TACT SWITCH

PART NO : TS21M-PF Series

TOLERANCE : ±0.2 mm

SCALE :

UNIT : mm

VER : R01

